



T-20 LABEL REWINDER
USER'S GUIDE

CONTENTS

- 1 BOX CONTENTS**
- 2 GETTING TO KNOW YOUR T-20 REWINDER**
 - Device overview
- 3 REWINDER SETUP**
 - Connection
 - Loading the Label
 - Install the Stop Plate
 - Remove the Stop Plate
 - Label Core Sizes
 - Use of Label Core Adapters
 - Rewinding Modes
 - Motor Fixed Speed Mode
- 4 REWINDER STATUS**
 - LED indicator
 - When the rewinder is full
- 5 TROUBLESHOOTING**
 - Sensing error
 - Idle load

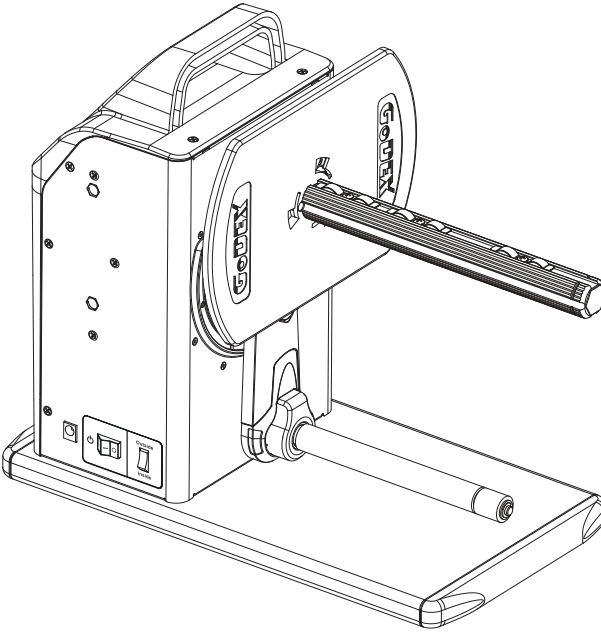
DOCUMENT DESCRIPTION

T-20 Label Rewinder
Version : **Rev. 1.02**
Issue Date : **2013.11.30**
Part NO. : **313-042200-203**

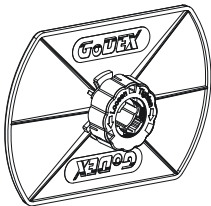
If you are looking for manuals in other languages or newer editions,
please visit our website www.godexintl.com.

1 BOX CONTENTS

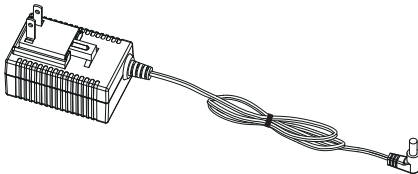
- T-20 Label Rewinder



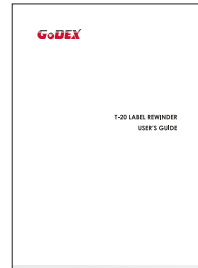
- Paper Stop Plate



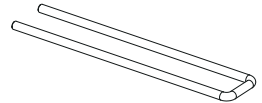
- Power Adapter



- User's Guide

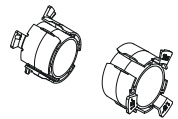


- Paper Clip

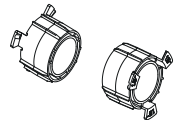


- 1.5'' Adapter

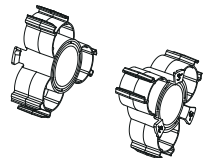
38 mm



40 mm



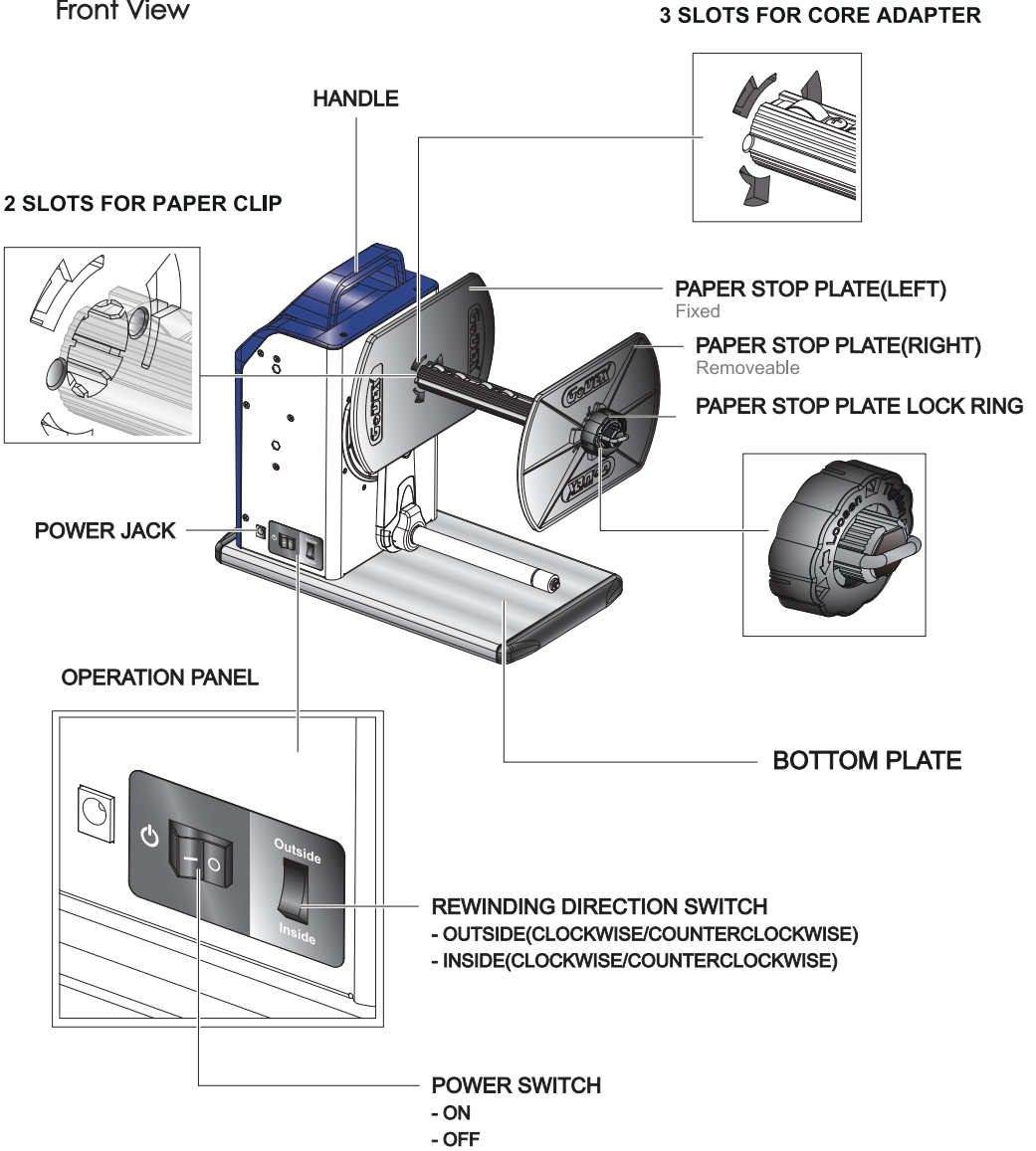
- 3'' Adapter



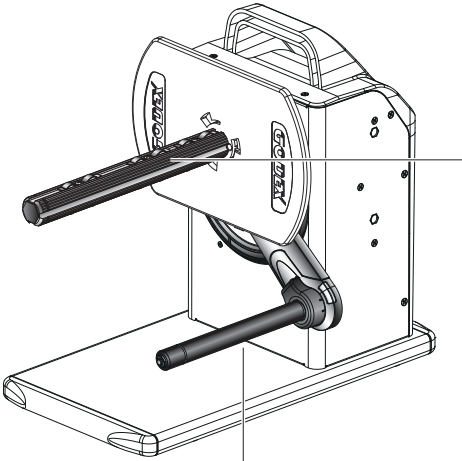
2 GETTING TO KNOW YOUR T-20 REWINDER

Device Overview

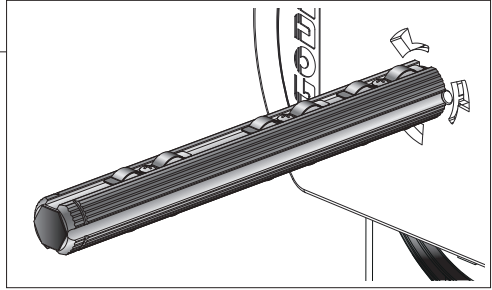
- Front View



- Rear View

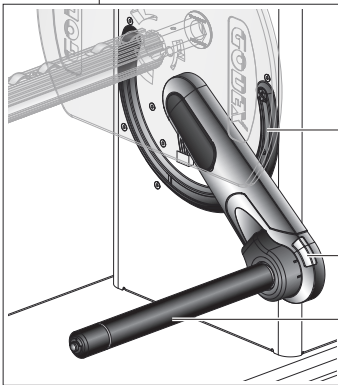


LABEL REWINDING SHAFT



CONTROL MECHANISM

- Start
- Direction
- Status



GUIDE TRACK

LED INDICATOR

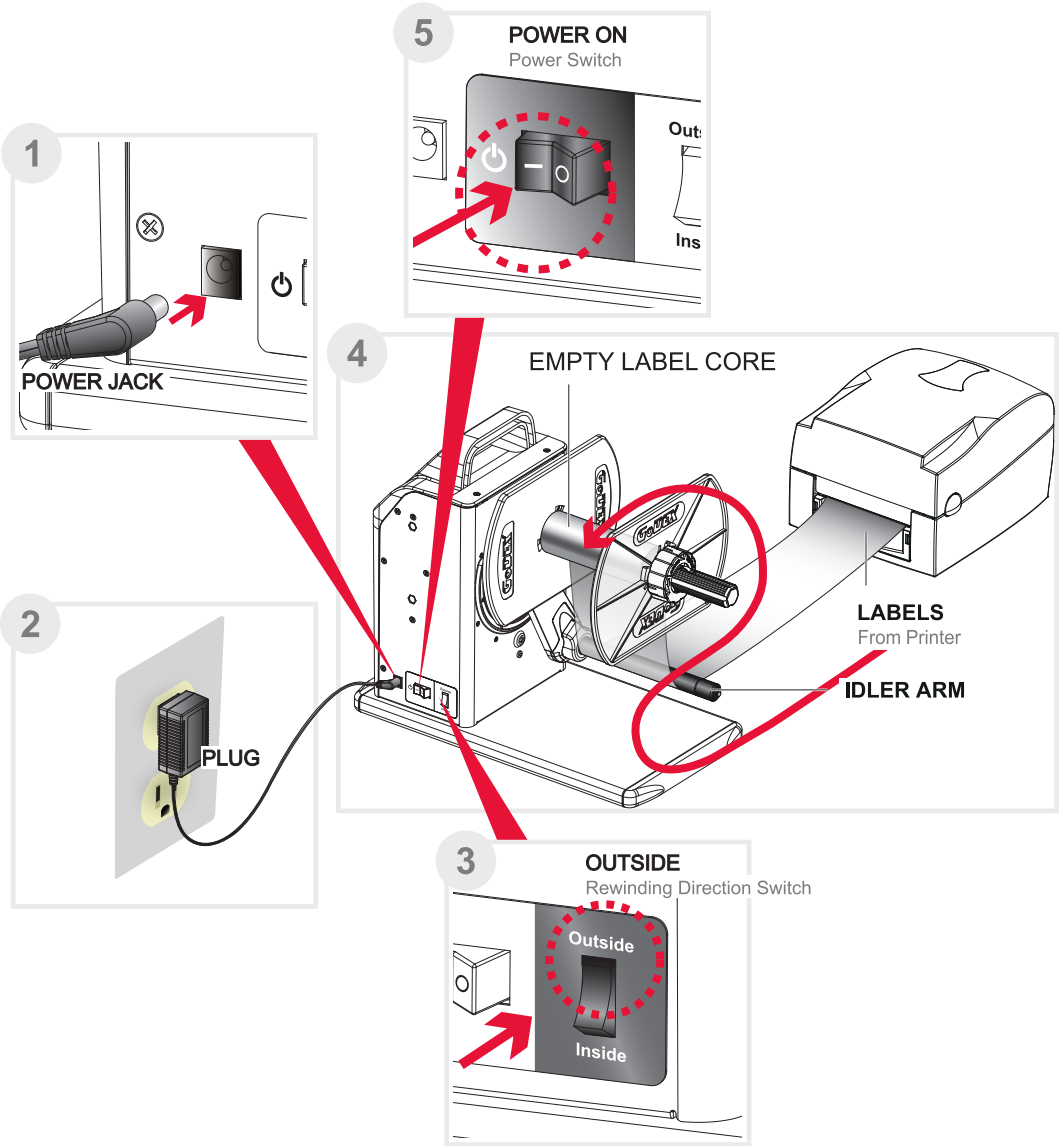
IDLER ARM



Keep Clean

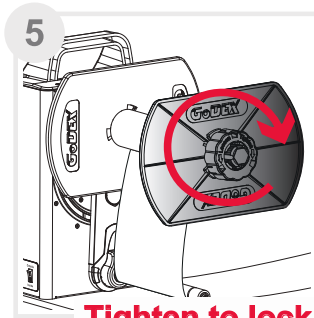
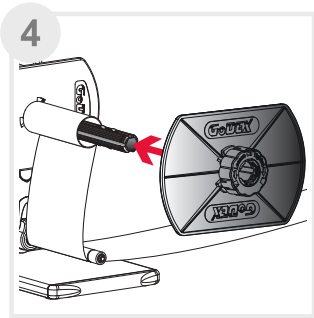
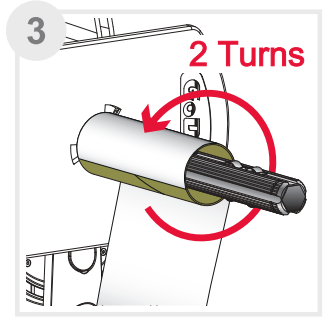
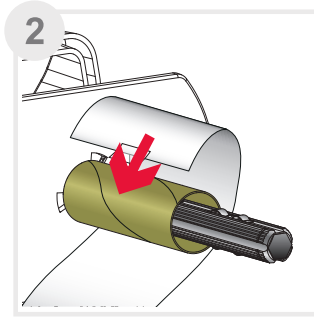
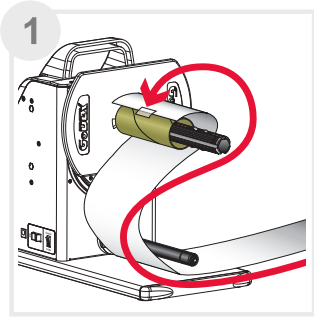
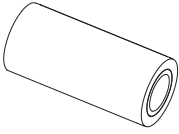
3 REWINDER SETUP

Connection



Loading the Label

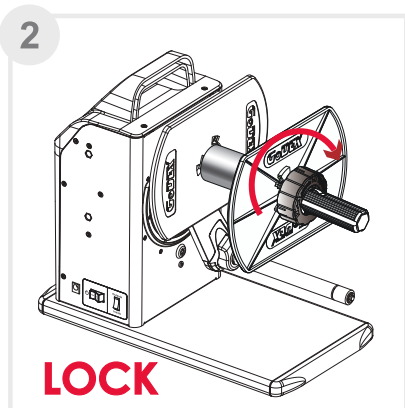
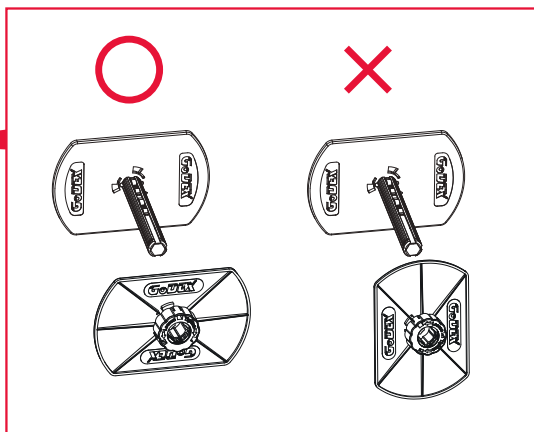
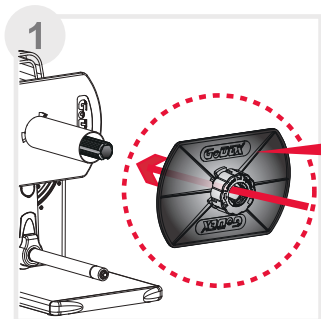
Label Stock



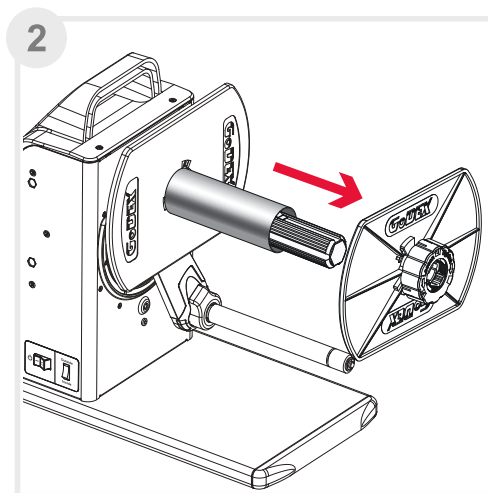
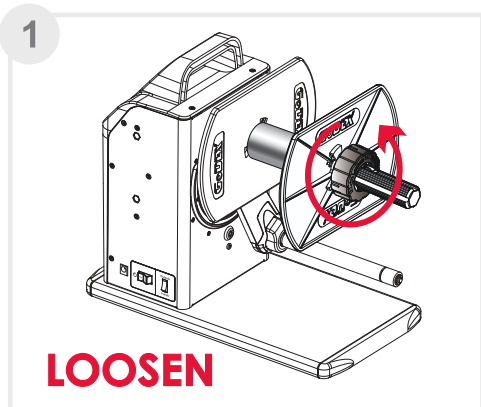
Tighten to lock

Install and Remove the Stop Plate

Install



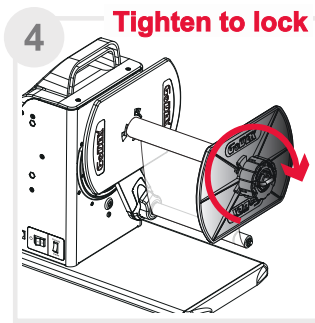
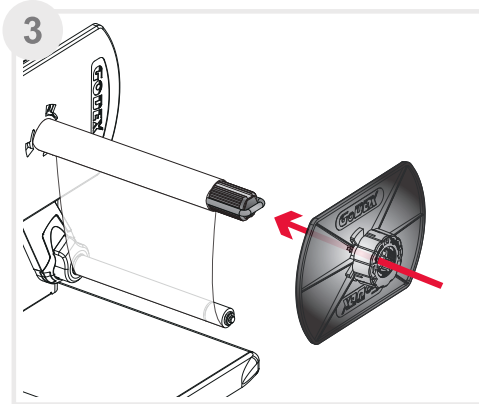
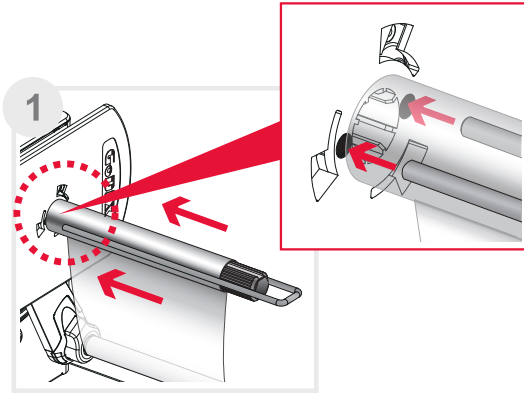
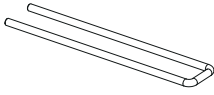
Remove



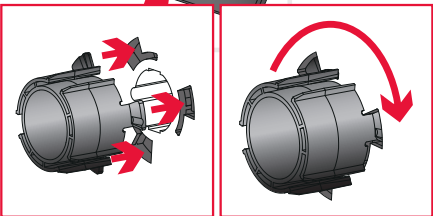
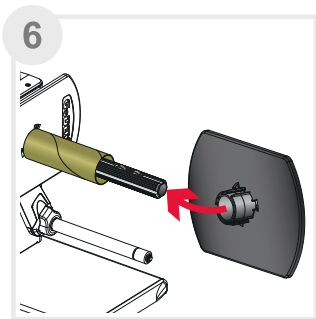
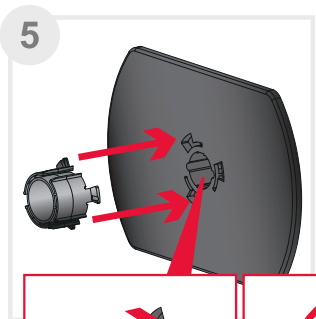
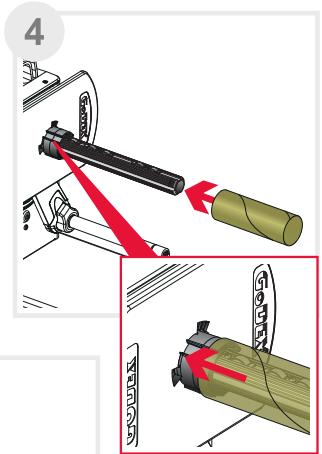
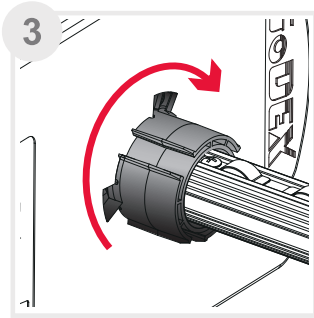
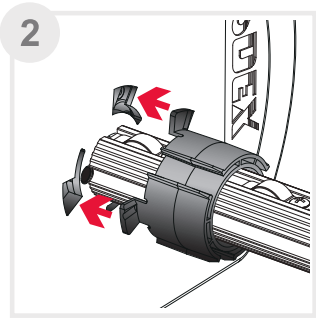
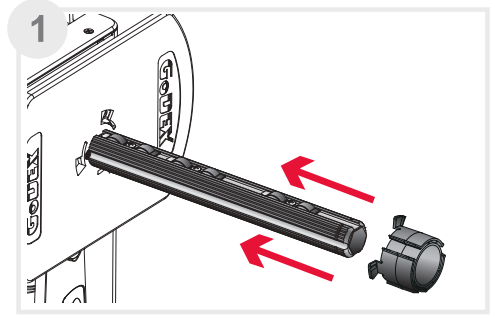
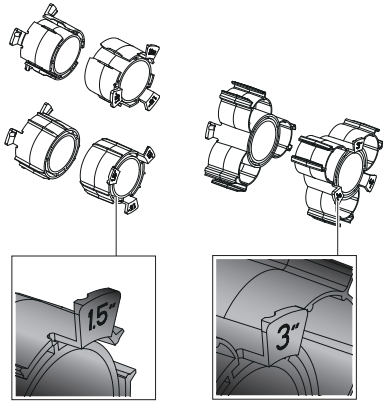
Label Core Sizes

Paper Clip

For use with 1" cores to secure labels

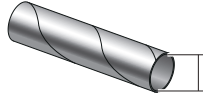
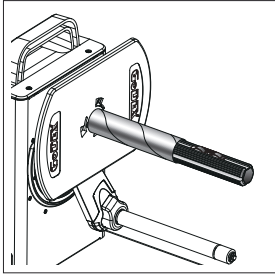


Core Adapter for 1.5" and 3" label cores



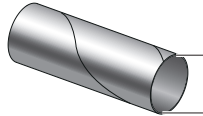
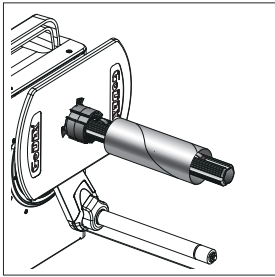
Use of Label Core Adapters

1'' Empty Label Core
with Label rewinding shaft.



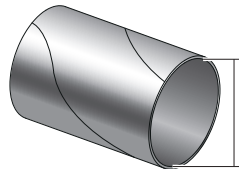
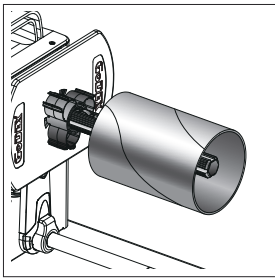
$\Phi 25.2$ to $\Phi 25.6$ mm
Tolerable size of inside diameter
for Label Rewinding Shaft

1.5'' Empty Label Core
with 1.5'' Core adapter.



$\Phi 37.4$ to $\Phi 38$ mm or $\Phi 40$ to $\Phi 40.6$ mm
Tolerable size of inside diameter
for 1.5'' Core Adapter

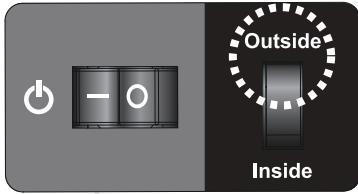
3'' Empty Label Core
with 3'' Core adapter.



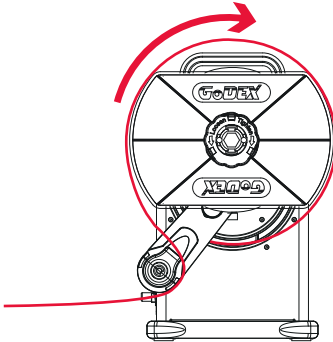
$\Phi 76$ to $\Phi 76.6$ mm
Tolerable size of inside diameter
for 3'' Core Adapter

Rewinding Modes

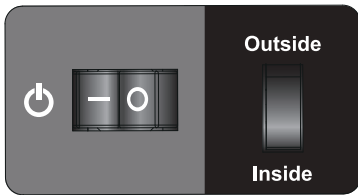
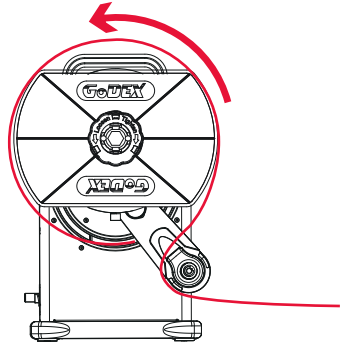
Outside



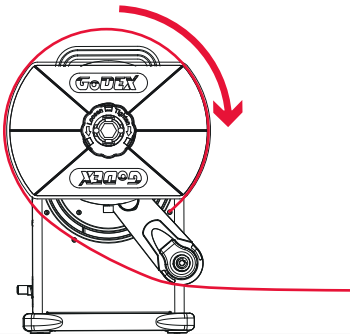
Clockwise



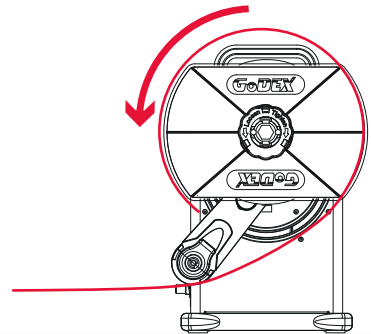
Counterclockwise



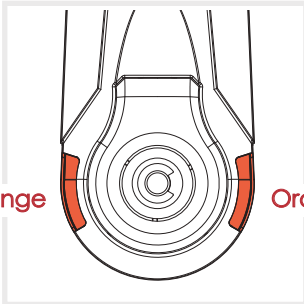
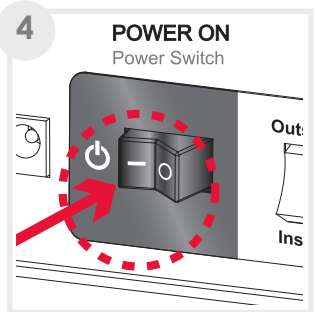
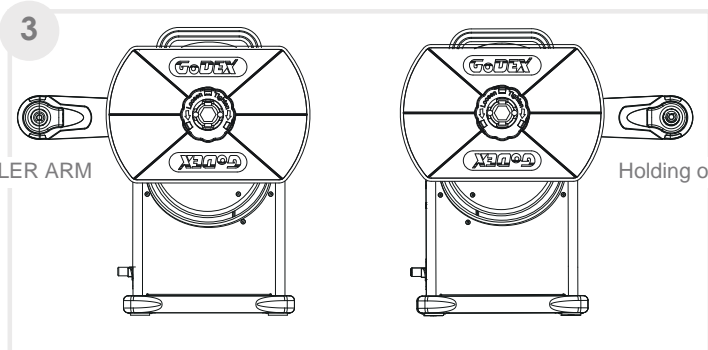
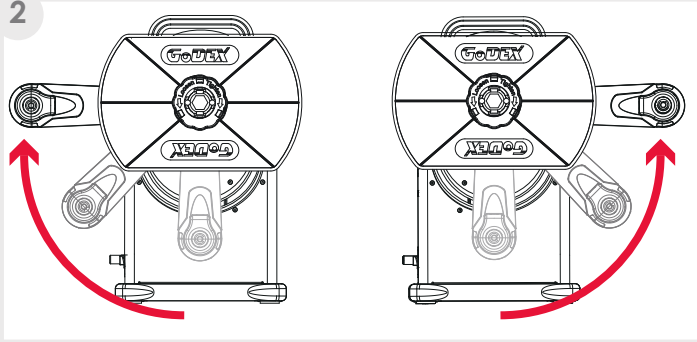
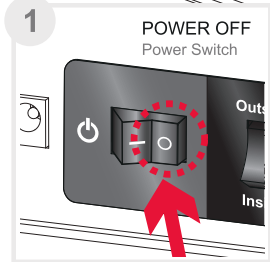
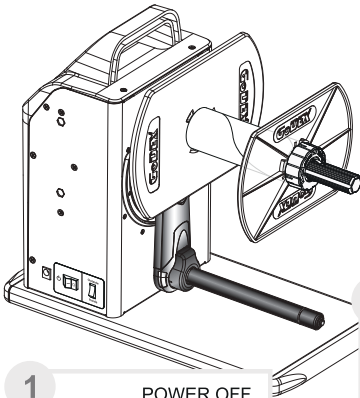
Clockwise



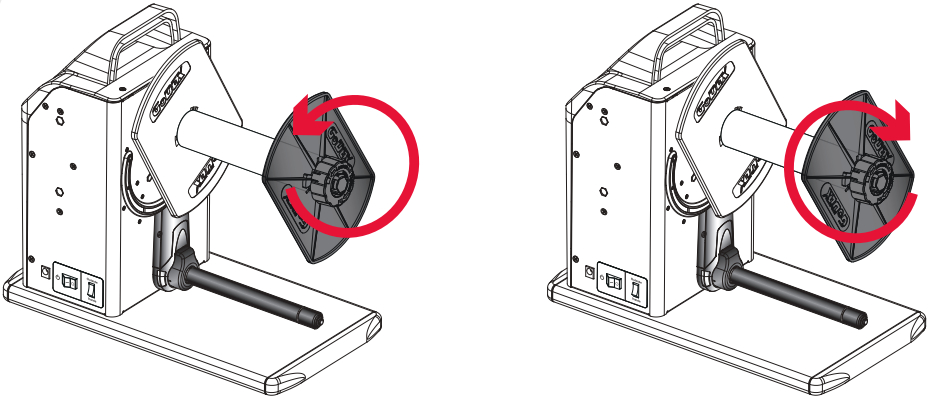
Counterclockwise



Motor Fixed Speed Mode



5

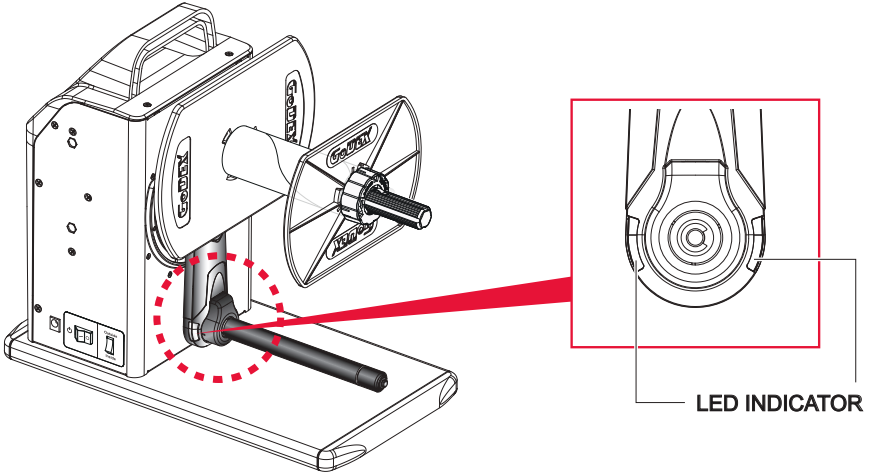


To Set up:

1. Make sure the power is switched off.
2. Place the IDLER ARM at its highest point on either side of the rewinder.
3. Turn on the power while holding on the IDLER ARM.
Once the power is on, an orange light should light up and that will bring the rewinder into the "Motor Fixed Speed Mode."
4. Release the IDLER ARM and the rewinder will be rewinding at a fix speed.
5. To stop, switch off the power.

4 REWINDER STATUS

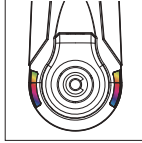
LED Indicator



STATUS

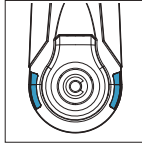
LED INDICATOR

Power ON



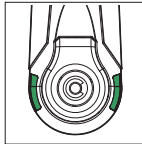
Flash

Outside



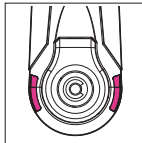
Blue

Inside



Green

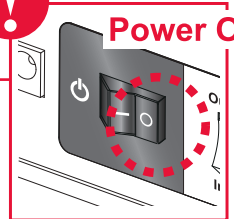
Error / Alert



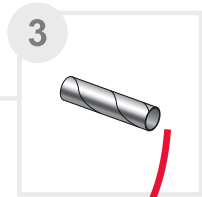
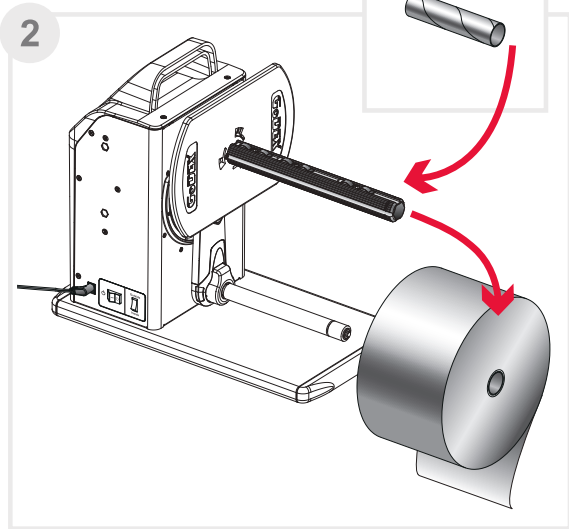
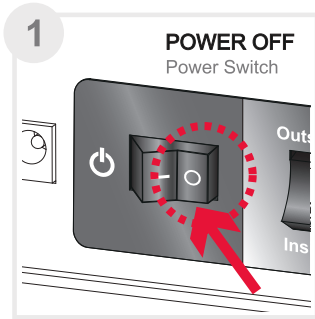
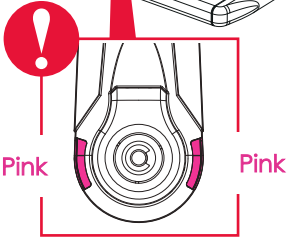
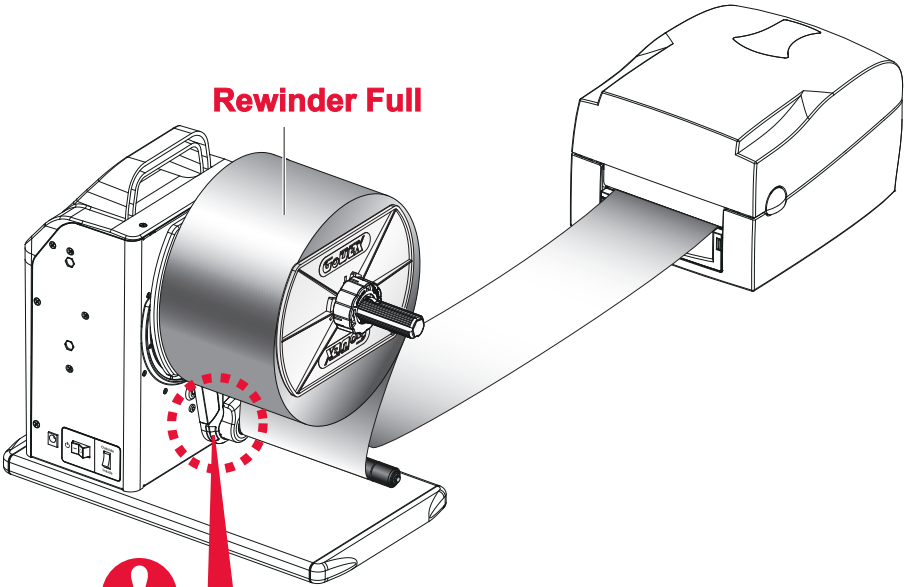
Pink



Power OFF

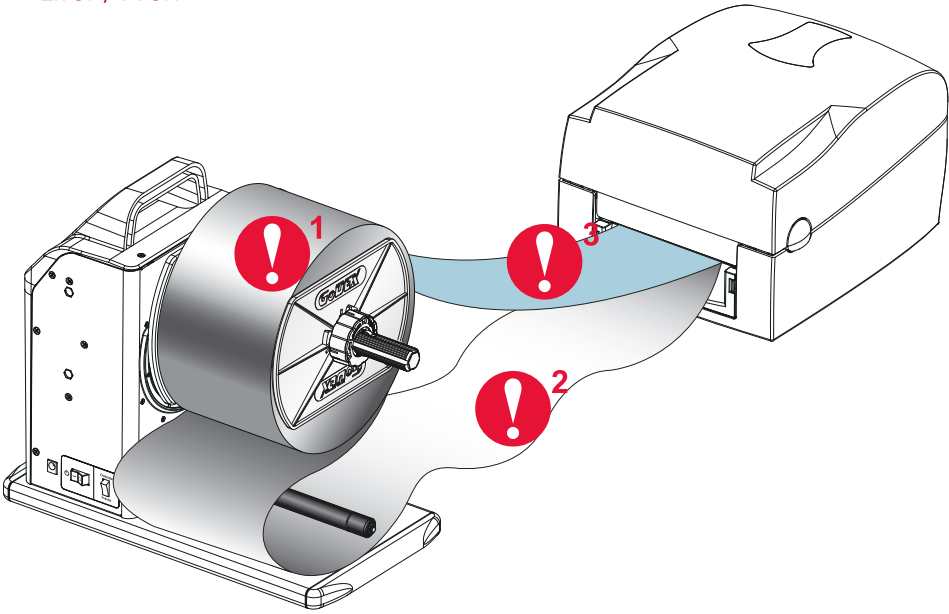


When The Rewinder Is Full



5 TROUBLESHOOTING

Error / Alert



Error /Alert

Description



Paper Full

refer to "When The Rewinder Is Full" in Section 4



Sensing Error

refer to "Sensing Error" in Section 5

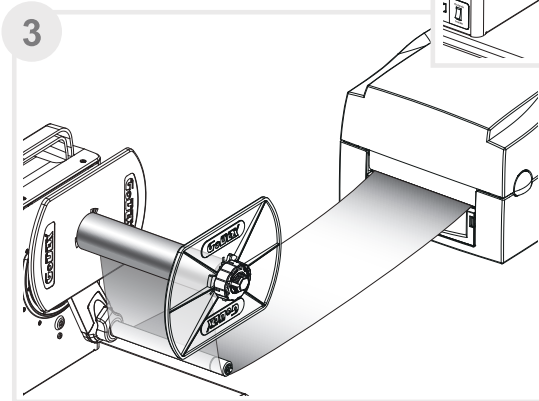
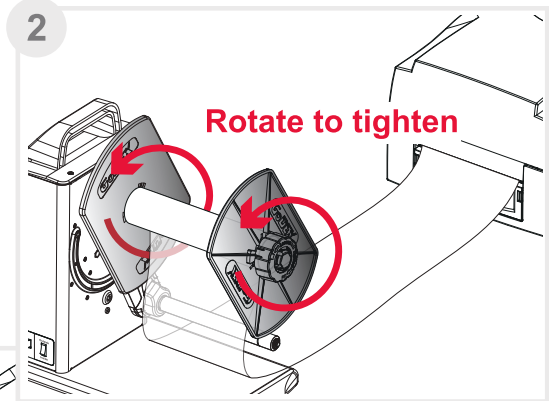
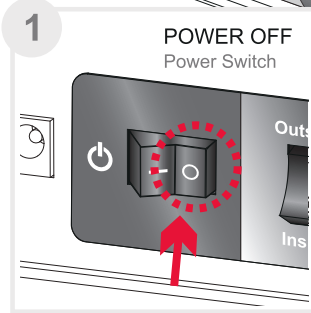
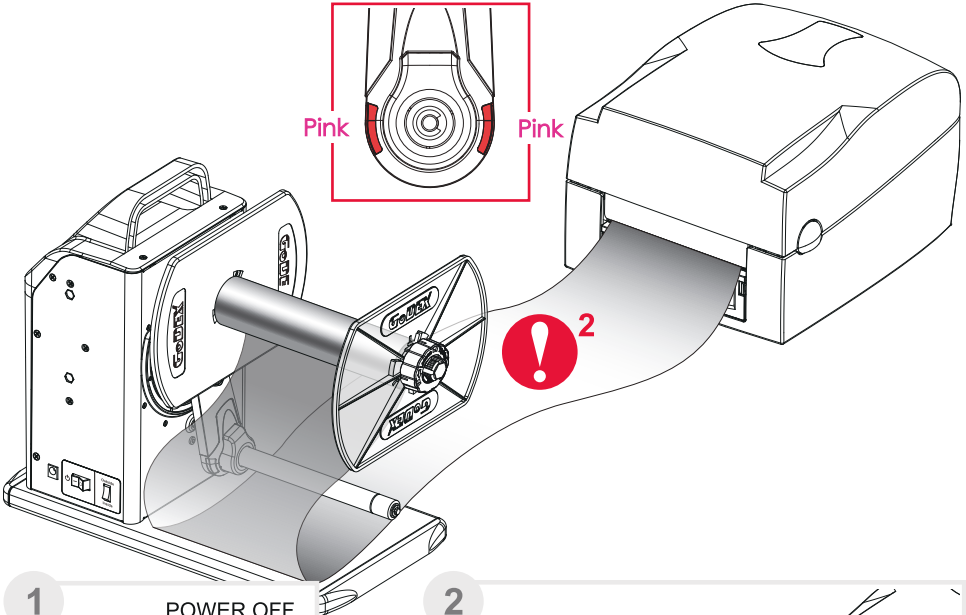


Idle Load

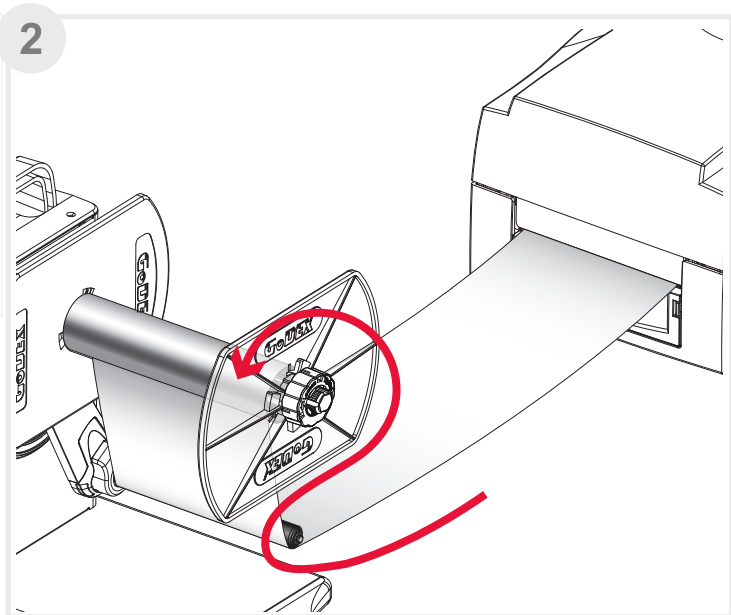
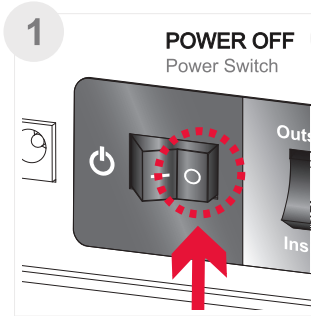
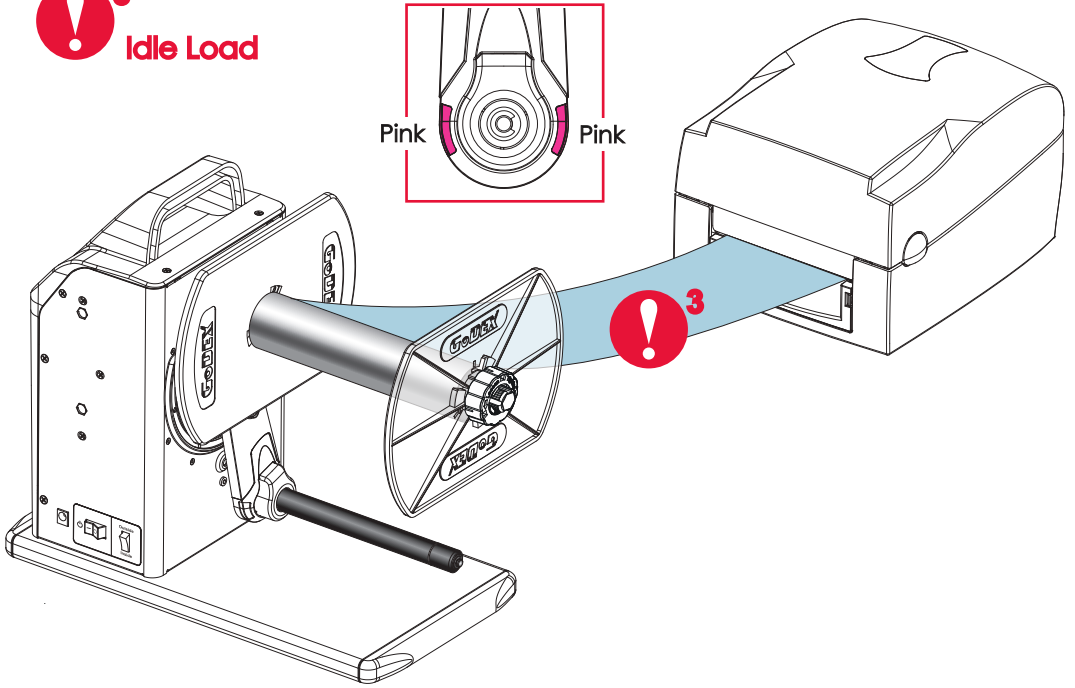
refer to "Idle Load" in Section 5



Sensing Error



3 **Idle Load**



APPENDIX

PRODUCT SPECIFICATIONS

Model	T-20 Label Rewinder	
Power width	7" (177.8 mm) Maximum	
Rewind Speed	Auto Mode	12 IPS (305mm/S)
	Fixed Mode	Coreless Adapter (5.4 IPS) 1" Label Core (6.3 IPS)
Label Roll	6" (152.4mm) Maximum	
Core Diameter	1" (25.2mm - 25.6mm)	
	1.5" (40mm - 40.6mm)	
	3" (76mm - 76.6mm)	
Label Roll Weight	11lb (5Kg)	
Rewinding	Labels Inside or Labels Outside	
Switches	Rewind Control	
Motor	Hybrid Motor	
Power	100 - 240 VAC 24W, 24V Adapter	
Environment	Operating Temperature: 41° F to 104° F (5° C to 40° C)	
	Storage Temperature: -4° F to 122° F (-20° C to 60° C)	
Humidity	10% - 85% non-condensing	
Dimensions(H x W x D)	11.92" (303mm) X 7.09" (180mm) X 15.51" (394mm)	
Agency Approvals	CE, FCC	
Weight	11lb (5Kg)	
Warranty	2 Years	

* **We do not recommend to rewind die-cut labels. Labels might be torn under certain circumstances.**

* Specifications are subject to change without notice. All company and/or product names are trademarks and/or registered trademarks of their respective owners.



Barcodes Made Easy

Godex International (Headquarters)

13F, No.168, Jian-Kang Road
Zhonghe Dist, New Taipei City 235 TAIWAN
Telephone: +886 2 2225 8580
Fax: +886 2 2225 8480
Contact us: infoGT@godexintl.com
Technical support: techGT@godexintl.com

Godex Americas

4023 Camino Ranchero Rd., Ste A
Camarillo, CA 93012
Telephone: +1 805 987 5100
Fax: +1 805 987 5115
Contact us: infoGA@godexintl.com
Technical support: techsupportGA@godexintl.com

Godex China

5F, No.68 Jiang Chang 1 Road Shanghai, China
Telephone: +86 21 5665 1313
Fax:+86 21 5665 7455
Contact us: shanghai@godexintl.com
Technical support: support@godexintl.com

Godex Europe

Amzhauschen 36 D-42929
Wermelskirchen, Germany
Telephone: +49 2193 53396 0
Fax: +49 2193 53396 69
Contact us:infoGE@godexintl.com
Technical support:technikGE@godexintl.com

